

INSTRUCTION MANUAL

Noaton DF 4114



Please keep this manual carefully for further reference!

Thank you for selecting our super quality dehumidifier. Please be sure to read this manual carefully before using it. Any questions, please contact the professional service for help. Keep the manual for future reference.

The dehumidifier will remove excess moisture from the air, creating a comfortable environment for your home and Office. Its compact design allows you to easily move it to every room.

CONTENTS

CONTENTS	1
COUTIONS	2
PERFORMANCE.....	3
TECHNICAL PARAMETER.....	4
APPERANCE.	5
OPERATIONS	6

MAINTENANCE7

TROUBLESHOOTING8

CAUTIONS



Please read the operating instructions carefully before using your dehumidifier for the first time.

1. Install the unit on flat and hard floor to diminish vibration or noise.
2. Never immerse the unit in water or other liquids.
3. Never operate the unit if the cable or other connector is damaged, or something abnormal may happen, please call customer service for help.
4. Disconnect the unit from power supply when it is not in use, or before relocating or cleaning it.
5. Operate the unit only at the voltage specified.
6. The unit is for indoor use only. Don't use it for other purpose.
7. Do not put heavy objects on the appliance.
8. Do not tip the unit to any side as spilt water could damage the appliance.
9. Never insert any other object into the unit body to avoid any hazard or unit failure.
10. Do not put the unit close to heat-generating devices or near flammable and dangerous materials.
11. This appliance is not intended for use by persons (including children) with reduced physical, sensory or lack of experience and knowledge, unless they have been given supervision or instruction concerning use of the appliance

by a person responsible for their safety. Children should be supervised to ensure that they do not play with the appliance.

12. If the supply cord is damaged, it must be replaced by the manufacturer or its service agent or a similarly qualified person in order to avoid a hazard
13. The appliance must be positioned so that the plug is accessible
14. The appliance shall be installed in accordance with national wiring regulations
15. The ambient temperature range for the appliance is 5°-35°



Don't try to repair, dismantle or remold such appliance, or it may make some damage. Even the change of power cord should be done by special qualified person.

PERFORMANCE

Powerful dehumidifying capacity

Based on refrigeration technology, this dehumidifier removes excessive moisture of air, keeping the room dry and comfortable.

Compact and portable design

Simple and lightweight design, very easy to move

Low temperature working, automatic defrosting

When the ambient temperature is greater than or equal to 5 degrees Celsius and less than or equal to 16 degrees Celsius, the machine will perform automatically defrosting at regular intervals. During the defrosting period, the compressor will not work but the fans will still work.

Three modes of dehumidification

Three types of dehumidification mode, namely, sunny, rainy, and continuous drying, are available for users to choose, and the target humidity can also be customized.

Low noise and energy saving

Based on the concept of smart home, this dehumidifier employs low noise design and energy saving technology in order to give user's comfortable home experience.

Air purification design

This machine adopts ionizer to purify room air.

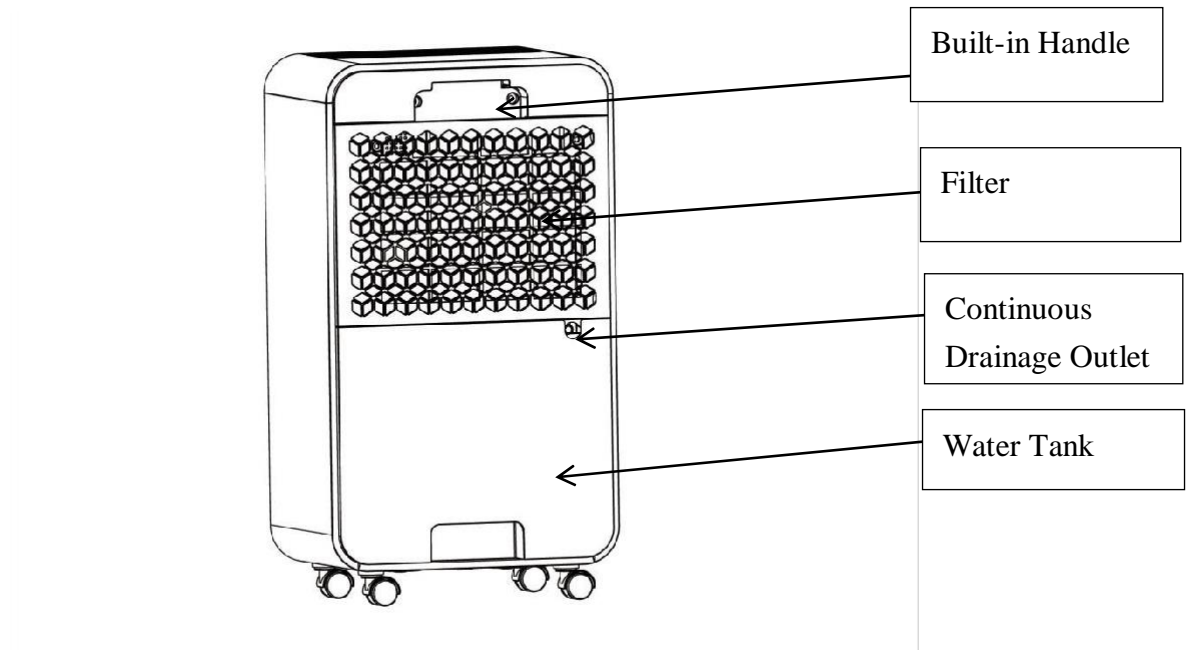
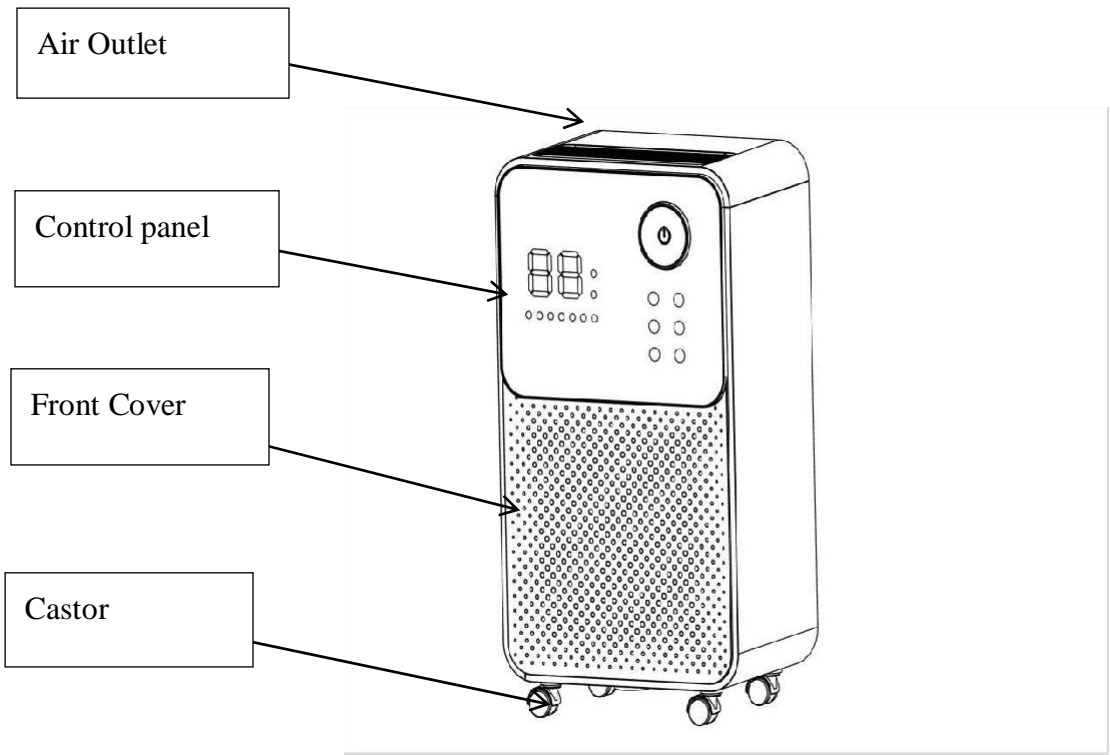
The purifying function adopts the double starting method, which can dehumidify and purify at the same time, or can also open the purifying function separately.

PARAMETER

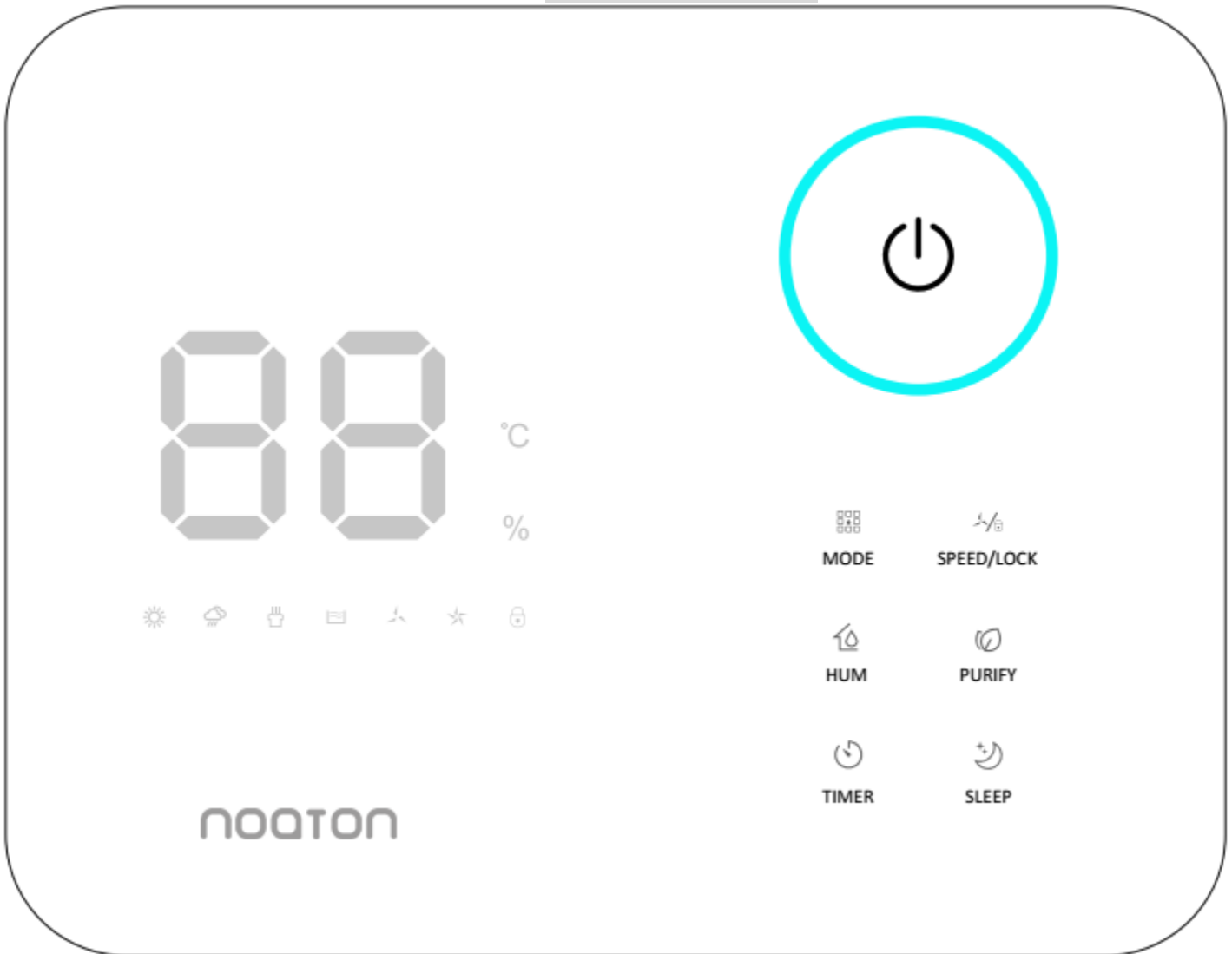
Power Supply	220V-240V/50Hz
Power Consumption	190W(30°C,80%)
	156W(27°C,60%)
Rated Current	0.9A(30°C,80%)
	0.75A(27°C,60%)
Dehumidify Capacity	14.7L/Day(30°C,80%RH)
	6.8L/Day(27°C,60%)
EF(26°C,60%RH)	1.81
Noise	≤36dB(A)
Air Circulation	120m ³ /hr
Water Tank	2L
Refrigerant /Charge	R134a/105g
Working Temp.	5°C-35°C
Recommend Room Size	15~25m ² (height=2.6m)
Control Type	Screen Touch
Auto Defrost	Yes
Optional Air Purify Function with Ionizer	Optional
Tank Full Auto Stop	Yes

Auto Restart & Stop Function	Yes
Timer	0-24hr
Body Size	280*200*500mm
Pack Size	330*250*565mm
Net Weight	12kg
Gross Weight	13kg

APPERANCE



OPERATIONS



Dehumidifier Starting

When the machine is plugged in for the first time, the buzzer sounds and the display shows "--". And then the machine enters standby mode at this time. After pressing the power button, power button lights up and the current ambient humidity is displayed on the screen, then the dehumidifier begins running. The machine performs

high wind operation with the default target humidity of 60%. According to the ambient humidity, the compressor determines whether to run.

Humidity Adjustment

Press the humidity button to select the target humidity you need .

At this time, the compressor operation condition depends on the current room humidity and dehumidifier you set.

Tank Full Indicator

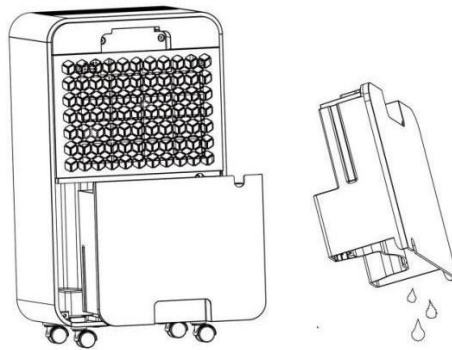
When the water tank is full, the water full indicator lights up in red, and the buzzer beeps 15 seconds to remind user to empty the water tank. At this time, the compressor, fan, and negative ion/UV lights all turn off and the dehumidifier enters the full water state. After the water full state is released, the machine automatically restore before the full water state -the boot state.

Discharge the Warning of Water Tank Full

When the water tank is full, an alarm can be canceled by pressing any button, but the original water full state cannot be discharged.

Clear the Water Tank

1. Grasp the hand position at the bottom of the tank and pull the tank out of the body.
2. Empty the water in the tank.



Button Operation



Power Button

In the standby state, press the power button to turn on, the operation indicator lights up and the default fan speed is high, at the same time the negative ion/UV light turning on, and the default humidity is 60% when the dehumidifier begins running. In the power-on state, press the power button to turn off, the running indicator light goes off and the compressor stops immediately, and then the fan shut down after 10 seconds delay.



Humidity Button

Touch the humidity button to check the current environment humidity, touch this button again and you can set the humidity. Every time press this button and a beep will sound, then the screen flashes and the target humidity value increase 5% once. The range of target humidity is 20% - 25%- 30%- 35% - 40% - 45% - 50% - 55%- 60% - 65% -70% - 75%- 80%. After setting 3 seconds, the system confirms the input value and then the machine exits the setting state, and returns the current humidity value. In the drying mode, the target humidity cannot be changed. Long Press humidity button for 5 seconds to display the current ambient temperature.



Purify Button

Press this button to turn on or off the purification function.



Timer Button

Press the timer button to set the 0-24 hour timing function. The interval is 1 hour. Each time you press this button, the value increased 1 hours and then the corresponding timing value is displayed on the screen. The setting value is “00” to cancel the timer function. The indicator turns out. After the timer is set and completed, the timer LED is on during the timing period. After the timing is over, the timer LED turns off automatically.

In the running state, set the timer time to turn off the machine;
in the standby state, set the timer time to turn on the machine.



Sleep Button

Touch the sleep button, the button lights up and start the sleep function. After no operation, all indicators turns dark gradually and the wind speed is automatically switched high speed wind to low speed wind . Touch any button to wake up the indicator. Touch sleep button

again to exit the sleep mode.



Mode Button

Sunny day mode - Rainy day mode - continuously drying mode cycle, press once to switch the mode from one to another, the corresponding indicator lights up.

In sunny mode: The default target humidity is 60% when machine running and the target temperature can be adjusted.

Rainy day mode: The default target humidity is 40% when machine running and the target humidity can be adjusted.

Continuously drying mode: The machine continues to run, but the target humidity can not be adjusted.



Speed/Child Lock Button

High wind - low wind cycle, press button once to switch and then the corresponding indicator lights up. In continuously drying mode, sleep mode and defrosting period, you cannot switch the wind speed.

Long press the wind speed button for 3 seconds to turn on/off the child lock function.

Indicator

Power Indicator

When the power cord is plugged in, after the dehumidifier turned on, the light ring around the power button will display different colors according to the current humidity and status.

Ambient humidity <60%, it shows blue

60% = ambient humidity <80%, it turns green


ambient humidity \geq 80%, it displays red


When the screen shows E1,E2, CL, CH, LO, HI, the light ring gets red and when water tank is full, it also shows red (flash frequency like breath). When machine begins defrosting, it will become blue (flash frequency like breath). Only purification function is turned on, it will display green (flash frequency like breath).


Water Tank Full Indicator


When the water tank is full, indicator light will turn red, then the compressor and fan stop working, and at the same time, it sounded 15s beeps to remind the user to empty the water in the tank and place the water tank in right position.

Mode Indicator


 When you set the wind speed to Sunny day mode, the Sunny mode indicator lights up.


 When you set the wind speed to rainy day mode, the rainy day mode indicator lights up.

 When you set the wind speed to continuously drying mode, the continuously drying mode indicator lights up.

 Speed/Child Lock Indicator

 When you set the low wind speed , the low wind indicator lights up.

 When you set the high wind speed, the high wind indicator lights up.

 The child lock indicator lights up when the child lock function is turned on/off.

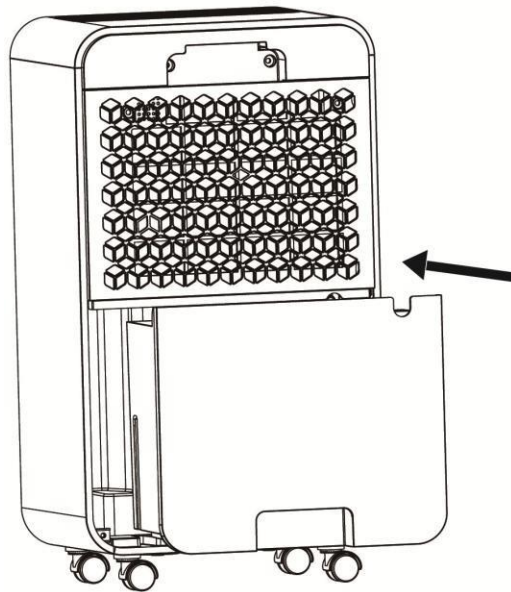
Maintenance

Precautions

1. Do not remove the float out the tank. If the float in the tank is removed, the machine will not turn on or start up.
2. If the tank is dirty, wash it with warm water. Do not use cleaners or

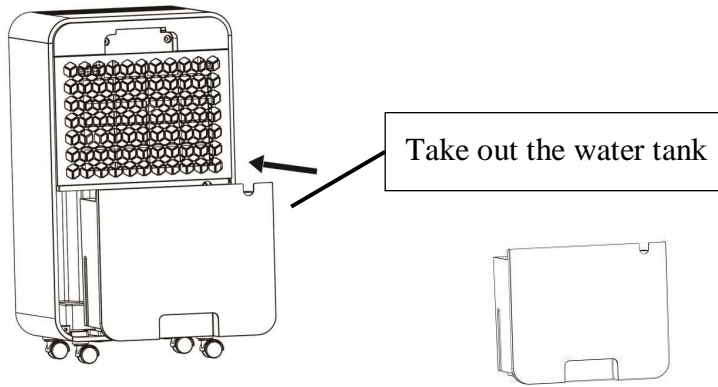
steel balls, Chemically treated dustproof cloth, Gasoline, benzene, thinners or other solvents chemically treated, as they may damage the water tank and cause leaking.

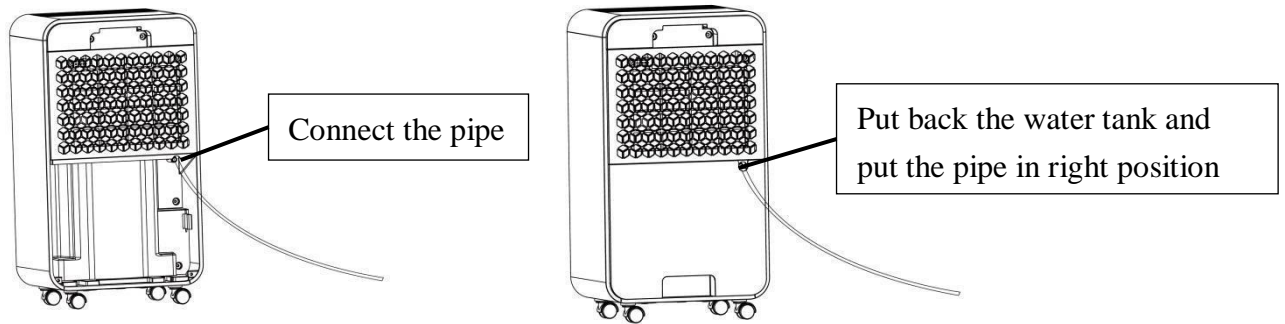
3. When putting in the water tank, push the water tank into the machine with both hands and put it in right position. If the tank is not in right position, the machine will not turn on or start up.



4. This machine has a continuous drain hole, which is connected by a plastic pipe (inside diameter 9.5mm), so that water can be discharged. When using a pipe, the outlet should not be submerged in water to prevent pipe from being blocked. If blocked, it will produce pressure

and the water cannot flow fluently, which will lead to leakage.





Clearing dehumidifier

Filter cleaning

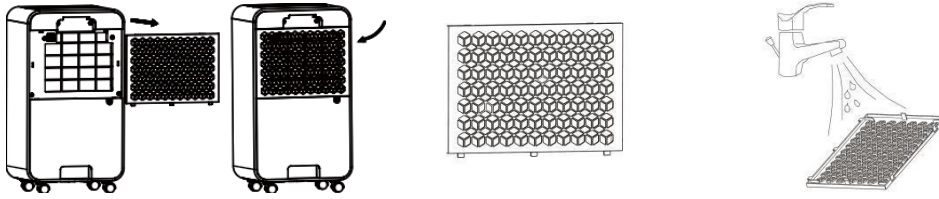
1. Turn up the handle
2. Remove the filter frame
3. Remove the filter
4. Clean the filter:

Use a vacuum cleaner to gently absorb the dust on the screen surface.

If the filter is very dirty, wipe it with lukewarm water and a soft cleaner and dry thoroughly.

5. Install the filter

Put the filter in original position.



Dehumidifier storage

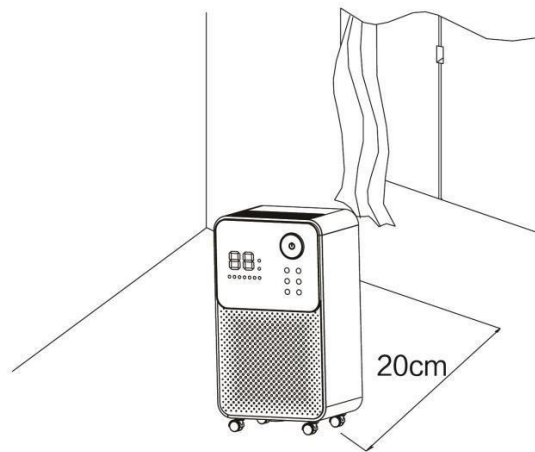
When you are not using the product for a long time and intend to store it, please pay attention to the following steps:

1. Empty the water in the water tank and wipe the water droplets on bottom of inside machine.
2. collect the power cord and store it in a dry water tank.
3. Clean the filter.
4. Place the machine in a cool, dry environment.

Spacing

When the dehumidifier is in operation, make sure that the rear of the dehumidifier has a minimum spacing of 20 cm as shown in the

following figure



Troubleshooting

1. Compressor running and stop conditions

When the ambient temperature $< 5^{\circ}\text{C}$, or Ambient temperature $> 38^{\circ}\text{C}$, or the humidity sensor fails, the compressor does not work: When $5^{\circ}\text{C} \leq$ Ambient temperature $\leq 16^{\circ}\text{C}$, the compressor automatically defrosts at intervals; during the defrosting, the compressor does not work, The fan still works.

2. BEFORE CALLING FOR SERVICE

Before contacting professional service, review this list. It may save your expense and time. This list includes common occurrences that are not the result of a defect in workmanship or materials.

Problem	Possible Cause	Solution
The unit doesn't operate	No power supply	Connect to a functioning outlet and switch on
	Water Full Indication Flash	Drain water tank and reset your setting, or replace the water tank to right place
	Room temperature under 5 degree, the error shows "CL"; above 38 degree, the error shows "CH"	Self-Protection designed to protect the unit. Can not work under such temperature
The dehumidifying function doesn't work well	Is the air filter clogged?	Clean the air filter as instructions
	Is the intake duct or discharge duct obstructed?	Remove the obstruction from the discharge duct or intake duct.

Without air intake	Is the filter clogged?	Wash the filter
Loud noise when running	Is the machine put in the plat place?	Put the machine in plat ground
	Is the filter clogged?	Wash the filter
E2	Humidity sensor problem	Connection mouth pull out and connect it again, or change the sensor.
the screen show "L0"	Environmental humidity is below 35%	Working when the humidity rise
the screen show "H1"	Environmental humidity is above 95%	High humidity show
the screen show "CL"	Low temperature protection, the environmental temperature < 5°C	Up the environmental temperature
the screen show "CH"	High temperature protection, the environmental temperature > 38°C	Down the environmental temperature

GAVRI S.R.O.
SLUNEČNÁ 6, BRNO
63400
CZECH REPUBLIC
WWW.GAVRI.CZ

